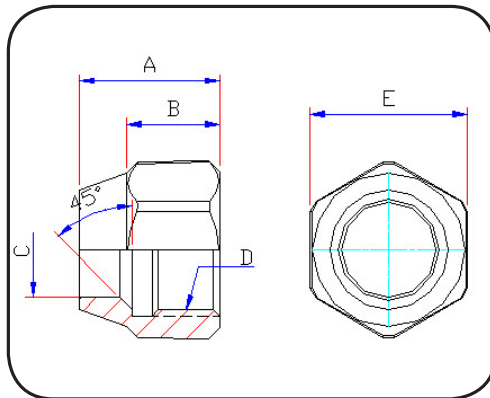


Forged flare nut



Dimension : mm

Part No.	Description	A	B	C	D	E
41F x 4	Forged flare union 1/4"	14.5	9	6.6	7/16x20 UNF	17
41F x 6	Forged flare union 3/8"	17.5	10.8	9.9	5/8x18 UNF	22
41F x 8	Forged flare union 1/2"	21	15.3	13	3/4x16 UNF	24
41F x 10	Forged flare union 5/8"	24	15.9	16.3	7/8x14 UNF	27
41F x 12	Forged flare union 3/4"	25	17.5	19.3	1-1/16x14 UNF	32
41F x 14	Forged flare union 7/8"	27.5	18	22.5	1-1/4x12 UNF	35



GRAND D.K. CO., LTD.

1/17 Moo 2, Rama 2 Road, Thasai, Muong Samutsakhon74000, Thailand.
Tel. (662) 8080457, 8080458 Fax. (662) 8081217, 8081218

Email: grand@loxinfo.co.th

www.packedvalve.com, www.servicevalve.com, www.servicevalve.net

MANUFACTURER